

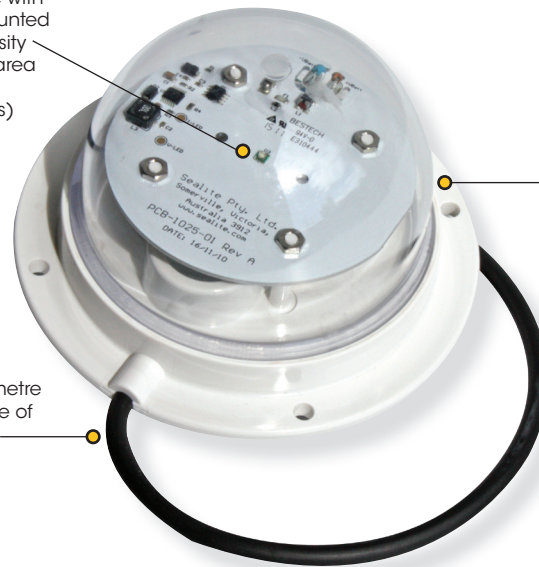
AREA LIGHTING

SL 09

Domed luminaire with 3watt surface mounted ultra-high intensity LED for optimal area illumination (>120 degrees)

Injection moulded UV-stabilised LEXAN® polycarbonate lens and base

Provided with 1 metre of cable for ease of installation



The Sealite Advantage

- 12v
- Area Illumination
- Sign Lighting
- Available in multi-colours
- Range of mounting brackets to accommodate pole, ceiling or wall mounting

The SL09 is a low-voltage area/compound light, designed to provide excellent ground or signage illumination.

The unit will provide an even 120 degree WHITE light spread from a 3 watt surface-mounted high-intensity LED.

The base of the light is made from injection moulded, UV-stabilised polycarbonate which is bonded to the domed polycarbonate lens.

The SL09 can be supplied with convenient mounting brackets to provide pole, ceiling or wall mounting.

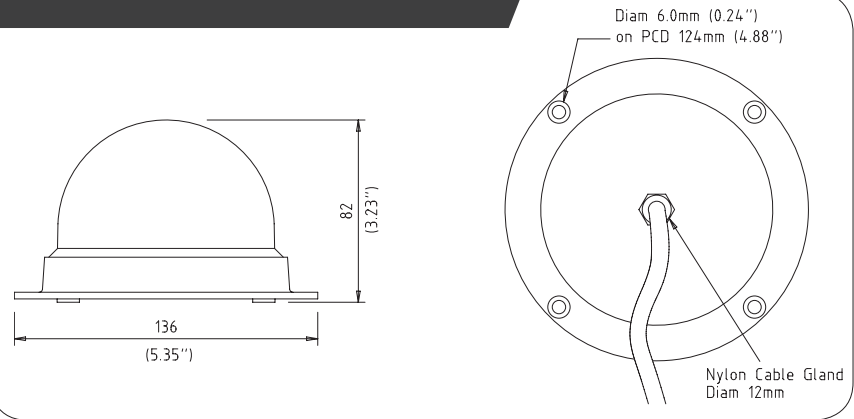
The lights are also available with 'plug & play' connectors for quick connection to battery and solar power packs.

3000mm dia. Ocean Buoy

ATLANTIC-3000



CREATING SAFE FAIRWAYS



SPECIFICATIONS •

Light Characteristics

Light Source	1x 3watt ultra-high intensity surface mounted LED
Available colours	White, Red, Green, Yellow
Peak Intensity (cd)†	>100
Horizontal & Vertical Divergence (degrees)	120
LED Life Expectancy (hours)	>100,000

Electrical Characteristics

Current Draw (mA)	230mA
Circuit Protection	Polarity protected
Operating Voltage (V)	12
Temperature Range	-40 to 80°C

Physical Characteristics

Body Material	LEXAN® Polycarbonate – UV stabilised
Lens Material	LEXAN® Polycarbonate – UV stabilised
Mounting	4 x 6mm mounting holes
Height (mm/inches)	82 / 3 1/4
Width (mm/inches)	136 / 5 1/3
Mass (kg/lbs)	0.6 / 1.3
Product Life Expectancy	Up to 12 years

Certifications

CE	EN61000-6-3:1997. EN61000-6-1:1997
Quality Assurance	ISO9001:2008

Intellectual Property

Trademarks	SEALITE® is a registered trademark of Sealite Pty Ltd
Warranty *	3 years

Options Available

- Bracket assemblies
- Additional cable



- Specifications subject to change or variation without notice
- * Subject to standard terms and conditions
- † Intensity setting subject to solar availability