

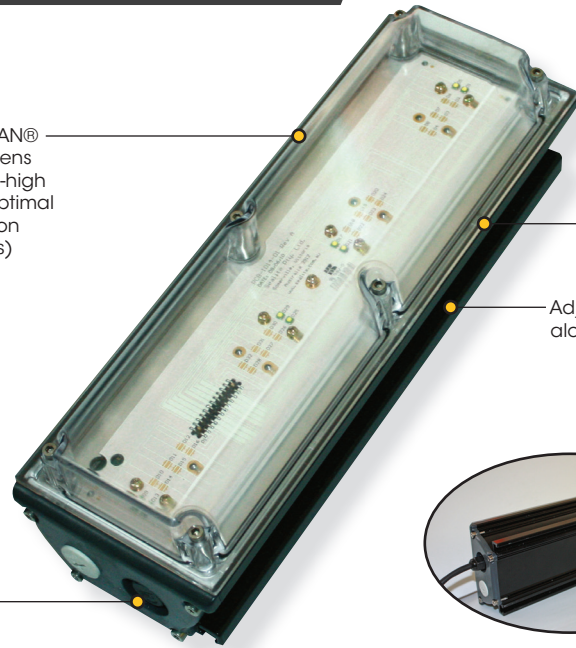
3000mm dia. Ocean Buoy

ATLANTIC-3000



New Product

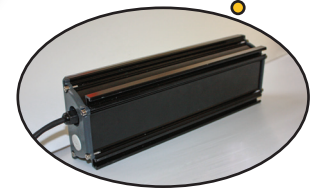
UV-stabilised LEXAN® polycarbonate lens containing 8 ultra-high intensity LEDs for optimal area illumination (>120 degrees)



Positive o-ring sealing

Adjustable mounting along 78mm parallel channels

Membrane vent



The Sealite Advantage

- Uses state-of-the-art high performance power LEDs
- Toughened polycarbonate lens to withstand harsh environmental conditions & vandalism
- Waterproof light head, rated IP68
- 50,000 hour rated LEDs

Sealite's state-of-the-art outdoor LED luminaire provides users with the perfect solution for lighting remote locations such as shelters, car parks and maintenance areas.

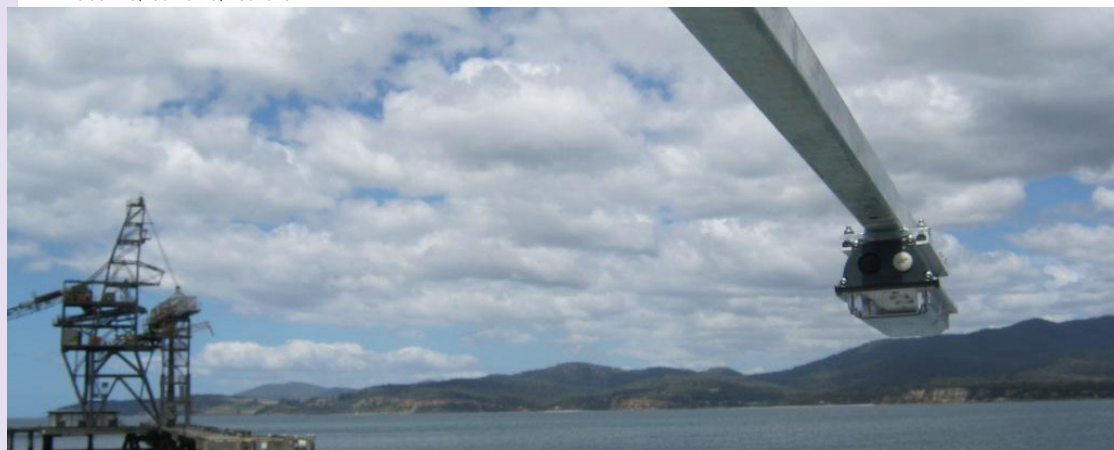
Sealite has created a unique luminaire housing eight state-of-the-art, high-performance, power LEDs for optimal area illumination. Each LED bank is driven by high efficiency LED drivers maximising light output and LED life. The intensity is maintained at a constant level over various voltage shifts.

The luminaire body is constructed from extruded aluminium with injection-moulded, UV-stabilised, LEXAN® polycarbonate glass-filled end caps for superior strength and durability. The injection-moulded LEXAN® lens is fitted to the aluminium body with a marine grade o-ring ensuring superior sealing. The AL-01 outdoor LED luminaire has an ingress protection rating of IP68 ensuring that internal electronics are completely sealed and protected from water intrusion and dust when installed in the toughest environmental situations.

The custom designed aluminium extrusion is interfaced with a thermal LED substrate to reduce the build up of internal temperatures. This prevents excess heat from LED operation and external temperatures combining to create unwanted stresses on electronic and mechanical components.

A membrane vent is used to equalise pressure in the light to that of atmospheric pressure. This permits improved protection of electrical components by reducing any pressure build-up on the sealing.

Triabunna, Tasmania, Australia



Maritim Consult

+45 87451122

Web

www.maritimconsult.dk

Mail

mc@maritimconsult.com

Address

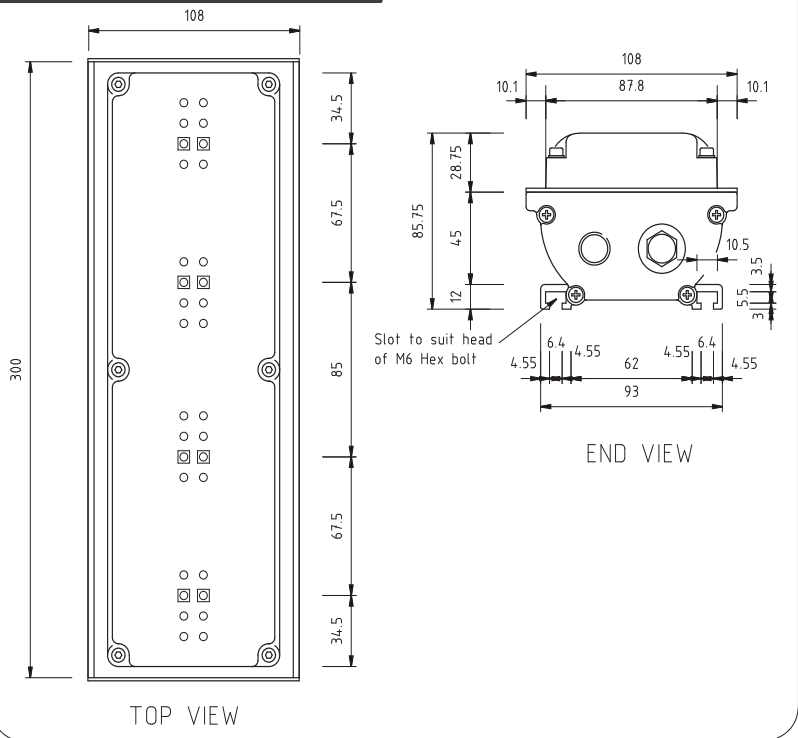
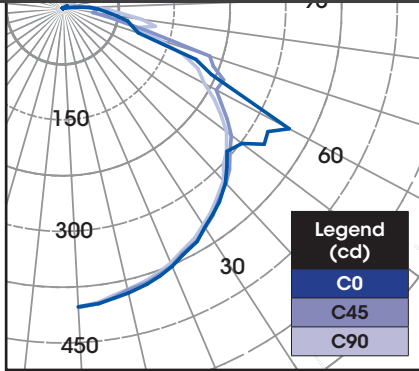
True Møllevvej 11
DK-8381 Tilst

3000mm dia. Ocean Buoy

ATLANTIC-3000



CREATING SAFE FAIRWAYS



INTENSITY SUMMARY (cd)						
Gamma	C-Plane					Output Lumens
	C0	C22.5	C45	C67.5	C90	
0.0	409	409	409	409	409	
5.0	411	410	409	409	409	39
10.0	408	407	407	406	406	
15.0	402	401	403	402	402	114
20.0	396	395	395	393	392	
25.0	388	386	386	383	383	178
30.0	377	377	376	373	372	
35.0	362	363	361	359	356	225
40.0	343	342	344	338	339	
45.0	321	323	322	320	317	248
50.0	293	298	298	294	292	
55.0	327	309	267	263	257	250
60.0	345	316	234	227	216	
65.0	192	204	217	184	174	191
70.0	98	90	119	110	101	
75.0	73	64	41	124	108	82
80.0	47	44	47	61	59	
85.0	16	22	22	24	21	26
90.0	3	4	3	3	2	

ZONAL LUMENS AND PERCENTAGES			
Zone	Lumens	% Lamp	% Luminaire
0-30	331	N/A	24.3
0-40	556	N/A	40.9
0-60	1054	N/A	77.5
0-90	1352	N/A	99.4
40-90	796	N/A	58.5
60-90	298	N/A	21.9
90-180	8	N/A	0.6
0-180	1360	N/A	100.0

Light Output Ratio = N/A

SPECIFICATIONS •

Light Characteristics

Light Source: 8 ultra-high intensity white (warm daylight) LEDs
LED Life Expectancy (hours): >50,000

Photometry

Total Luminous Flux (lm): 1360
Luminous Efficacy (lm/W): 69.7

Electrical Characteristics

Voltage (V): 12.00
Current (A): 1.637
Power (W): 19.5
Power Factor: 1.0
Circuit Protection: Integrated
Temperature Range: -40 to 55°C

Spectral Characteristics

CIE 1931 2 deg observer (x,y) ⁽¹⁾: (0.312, 0.336)
CIE 1976 2 deg observer (u',v') ⁽¹⁾: (0.195, 0.472)
Correlated Colour Temperature⁽¹⁾: 6500 K
Colour Rendering Index⁽¹⁾: 71
Colour Spatial Uniformity⁽²⁾: 0.0207

Physical Characteristics

Body Material: Extruded aluminium chassis with LEXAN® polycarbonate glass filled end caps - UV-stabilised
LEXAN® Polycarbonate - UV stabilised
Mounting: Adjustable along 78mm parallel channels
Height (mm/inches): 85 / 3³/₄
Width (mm/inches): 108 / 4¹/₄
Length (mm/inches): 300 / 11⁷/₈
Mass (kg/lbs): 1.5 / 3.3
Product Life Expectancy: Up to 12 years

Certifications

CE
Quality Assurance: EN61000-6-3:1997, EN61000-6-1:1997
Waterproof: ISO9001:2008
IP68

Intellectual Property

Trademarks: SEALITE® is a registered trademark of Sealite Pty Ltd
3 year

Warranty *

Options Available

- Setable Timer Light Control
- External ON/OFF Switch



• Specifications subject to change or variation without notice
* Subject to standard terms and conditions
(1) Value is computed from the weighted average of the spatial measurements
(2) Value is the maximum deviation of the spatial u' and v' measurements from the weighted average