

LEADING LIGHT

NS 85 LED



DESCRIPTION

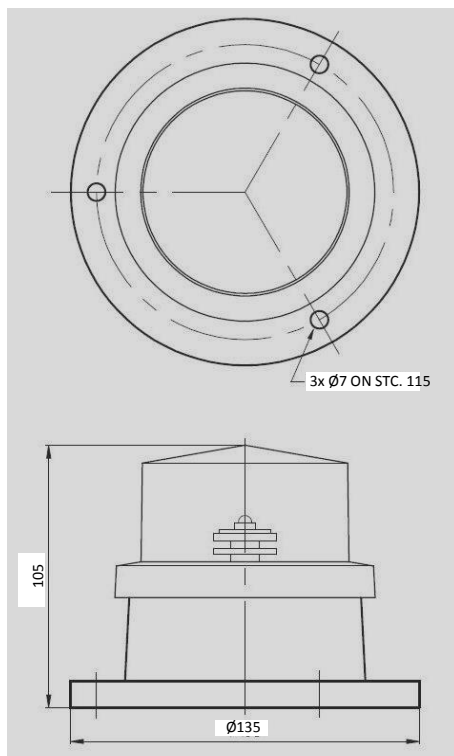
The NS85 is a small leading light, that are suited for small ports and pleasure ports.

The base is build from robust marine aluminum and powder coated with a double layer of epoxy paint.

The light source is a single LED with high efficiency and small power consumption. A valve secures that the excess air comes out, and that the water doesn't come in.

A build-in photocell detects when the light should turn on and off, at night and day.

All settings are easily done with an infrared remote control.



TECHNICAL DATA

Light source	Light Emitting Diodes (LED)
Available colours	Green, Red, Yellow, White
Intensity (candela)	Green – 6.000, Red – 5.000, Yellow – 3.600, White – 6.000
Horizontal angle	14° @ 10% max intensity (Costumized)
Vertical angle	14° @ 10% max intensity (Costumized)
Temperatures	-40° - +40° (celsius)
Voltage	12 - 30 V DC or 230 V AC
Weight	1,4 kg.
Quality assurance	ISO 9001:2000
Options	GPS synchronization