

MARINE LANTERN

IML 150 LED



DESCRIPTION

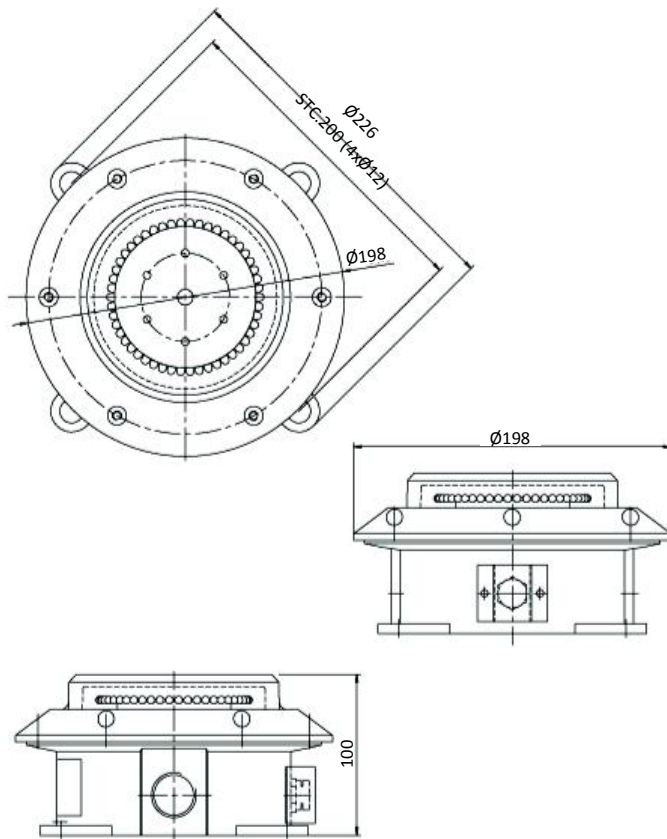
With a base of robust marine metal, the IML150 lantern is suitable for harsh environments such as oil rigs, jack up vessels or as the light source on a buoy in icy waters.

With the large vertical angle, the IML150 are also available as a helideck light.

A valve secures that the excess air comes out, and that the water doesn't come in.

A build-in photocell detects when the light should turn on and off, at night and day.

All settings are easily done with an infrared remote control.



TECHNICAL DATA

Light source	Light Emitting Diodes (LED)
Available colours	Green, Red, Yellow, White
Intensity (candela)	Green - 53, Red - 47, Yellow - 22, White - 55
Horizontal angle	360°
Vertical angle	32° @ 50 % and 110° @ 10 % of max intensity
Temperatures	-40° - +40° (celsius)
Voltage	12 - 30 V DC or 110 - 250 V AC
Weight	5,7 kg.
Quality assurance	ISO 9001:2000
Options	GPS synchronization