

# SIGNAL LANTERN

IML 200 PU LED



ATON

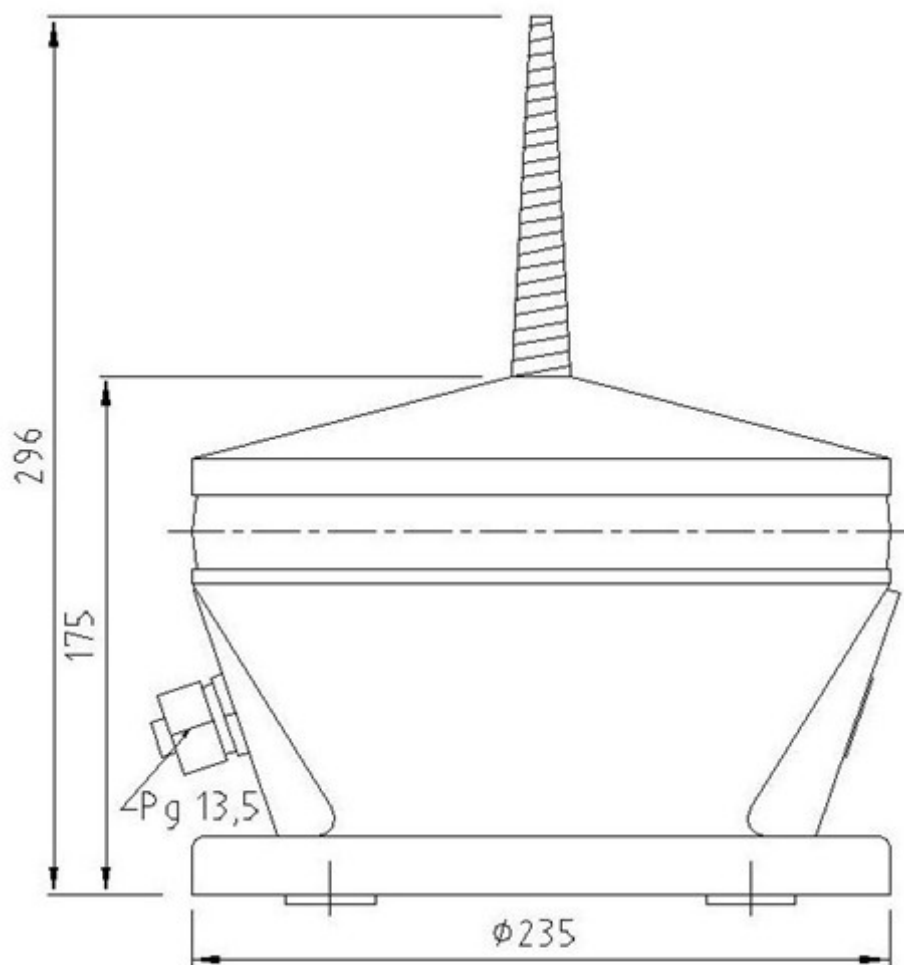


The IML 200 PU LED is a superb LED beacon with advanced specifications. Provided with a horizontal scattering lens, it provides consistent horizontal divergence. The light source is formed through horizontally placed, high intensity LEDs. The base is made of rugged polyurethane, while the top of the lantern is marine grade aluminium, coated with two layers of high impact epoxy coating. The colour is the same as the emitted light.

A membrane is incorporated for air pressure equalisation and for blocking moisture from entering the casing. For synchronising with other lanterns, the flasher has a hard-wired input/output connection. The lantern can also synchronise with the ITO sync GPS receiver.

## SPECIFICATIONS

Application	: Buoys, landfall beacons, harbour lights
Lens material/ type	: Acrylic type PMMA200
Birdspike	: Stainless steel spring-type
LED type	: High intensity, red, green, yellow and white
Life expectancy	: Approx. 100,000 hours
Electrical parameters	: LED current set point, battery voltage and day/night switching point can be read and set by means of an infra red remote control
Connection	: PUR cable, standard 3 metre length
Cable entry	: Cable gland PG13.5, brass, nickel plated
Daylight switch	: Internally placed
Horizontal spread	: 360 degrees
Vertical divergence	: > 24 degrees
Max. intensity	: Depending on setting
Volt range	: 12-30 volt DC
Protection class	: IP66
Mounting	: 4 holes of 15mm on 200 mm BCD
Weight	: 3.8 kg



4x  $\phi 15$  ON STC. 200

