

Mooring Buoy

SL-MB650 & SL-MB1000

Sealite have a range of mooring chains & accessories - ask your representative today how we can supply your complete mooring solution



Environmentally Friendly & Recyclable

Sealite buoy products are made from recyclable materials. As a service to customers, individual components and products at the end of their service life may be returned to Sealite for recycling.

Optional Mould-in Graphics Available

SL-MB 1000

The SL-MB 1000 has a 1000mm diameter offering increased visibility & buoyancy in deeper waters



Closed-cell polyurethane foam filled

SL-MB 650

Made from strong, durable, UV-stabilised, virgin polyethylene

Rotationally-moulded to 7mm wall thickness

Large mooring tube

Chain not included - range of mooring equipment available

The Sealite range of Mooring Buoys are designed to offer customers long life and are suitable for most locations.

The buoys are available in 650mm and 1000mm diameter. The mooring buoys are rotationally-moulded from UV-stabilised virgin polyethylene to a 7mm wall thickness, and are foam filled with closed-cell polyurethane to prevent water ingress in the unlikely event of damage to the outer layer.

The large mooring tube with 82.5mm ID will accept mooring chain of up to 20mm in diameter. The mooring tube is not moulded into the buoy but slides into a tubular section that runs down the centre of the buoy enabling the tube to be replaced at any stage during the product's service life.

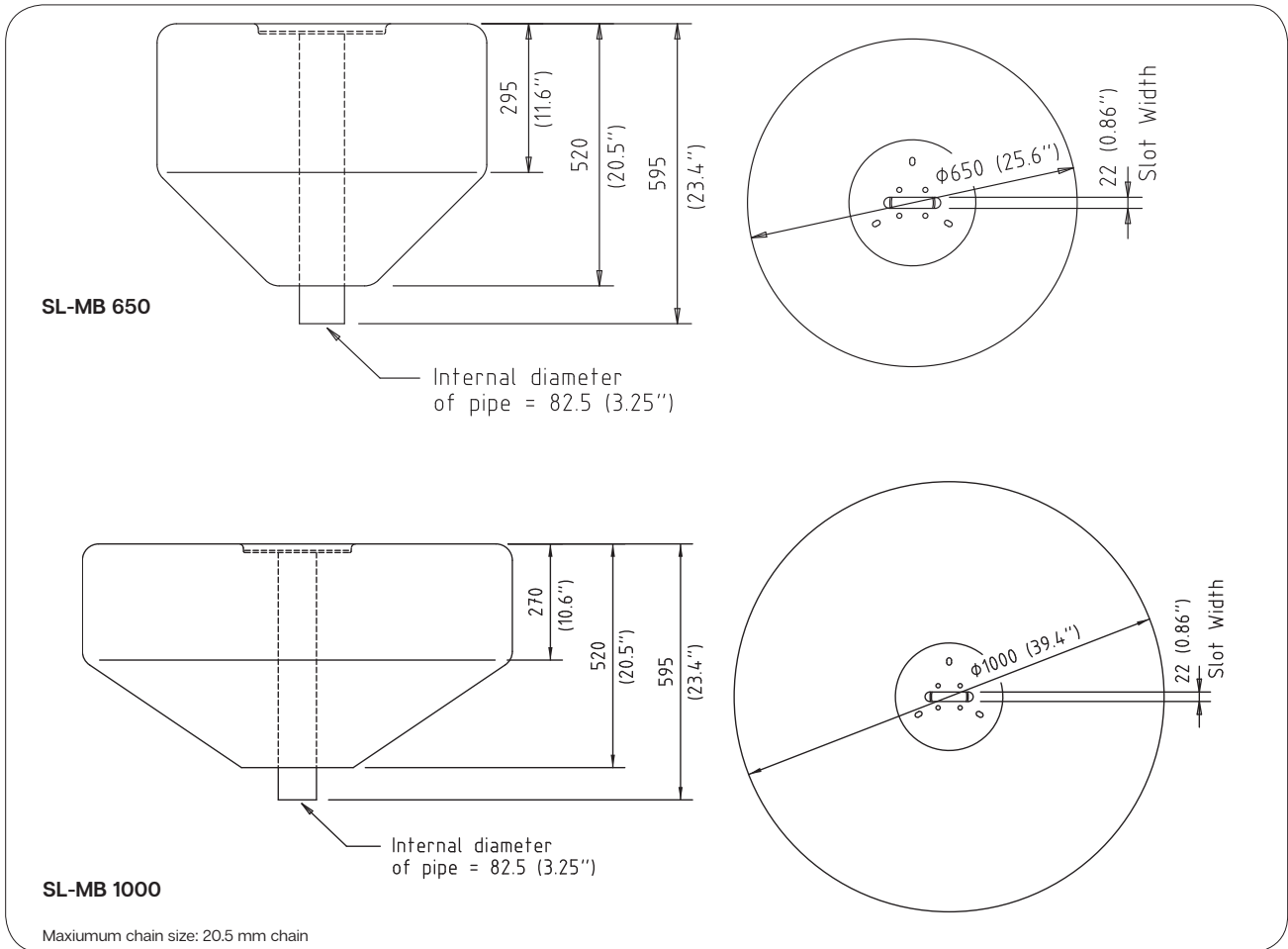
Sealite's SL-MB Mooring Buoys are capable of supporting substantial loads, and are available in a range of colours for clear visibility.

The Sealite Advantage

- High visibility colours
- Strong, polyethylene construction
- Replaceable mooring tube
- Clear identification with optional graphics



Technical Illustrations



Technical Specifications*

	SL-MB 650	SL-MB 1000
General Characteristics		
Available Colours	Red, Green, White, Yellow as per IALA Recommendations	Red, Green, White, Yellow as per IALA Recommendations
Total Float Volume (ltrs/US gallon)	136 / 36	290 / 76.6
Reserve Buoyancy (kgs/lbs)	70 / 154	145 / 320
Draft, Maximum (mm/inches)	450 / 17 ³ / ₄	450 / 17 ³ / ₄
Freeboard, Minimum (mm/inches)	145 / 5 ³ / ₄	145 / 5 ³ / ₄
Submergence (kg/cm, lb/inches)	3.4 / 19.1	8.1 / 45.4
Physical Characteristics		
Material	Rotationally-moulded UV-stabilised virgin polyethylene	Rotationally-moulded UV-stabilised virgin polyethylene
Wall Thickness (mm/inches)	7 / ¹ / ₄	7 / ¹ / ₄
Filling	Closed-cell polyurethane foam	Closed-cell polyurethane foam
Height (mm/inches)	595 / 23 ³ / ₄	595 / 23 ³ / ₄
Width (mm/inches)	650 / 25 ³ / ₄	1000 / 39 ³ / ₄
Mass (kg/lbs)	21 / 46	35 / 77
Product Life Expectancy	Up to 12 years ^	Up to 12 years ^
Certifications		
IALA	Surface colours compliant to IALA E-108	Surface colours compliant to IALA E-108
Quality Assurance	ISO9001:2015	ISO9001:2015
Intellectual Property		
Trademarks	SEALITE® is a registered trademark of Sealite Pty Ltd	SEALITE® is a registered trademark of Sealite Pty Ltd
Warranty *	1 year	1 year
Options Available	Custom signage	Custom signage



* Specifications subject to change or variation without notice
 ^ Refer to the Sealite website under the warranty section
 * Subject to standard terms and conditions
 † Intensity setting subject to solar availability



We believe technology improves navigation™

